

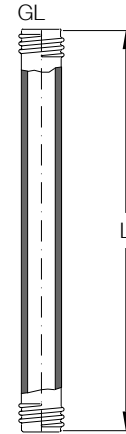
Copyright © 2007, QVF Engineering GmbH. All rights reserved.



PIPES (GL/GL)

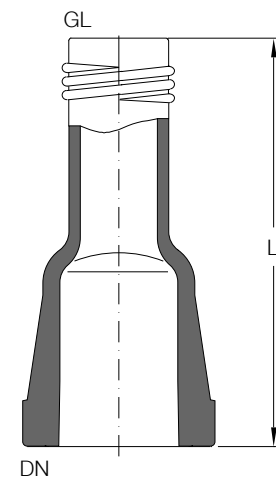
Together with the threaded connections from section “Couplings” each pipe fits into the metric grid modular system.

L	Reference GL14	Reference GL18	Reference GL25
60/55	M-PSGL14/60	M-PSGL18/60	M-PSGL25/55
85/80	M-PSGL14/85	M-PSGL18/85	M-PSGL25/80
110/105	M-PSGL14/110	M-PSGL18/110	M-PSGL25/105
135/130	M-PSGL14/135	M-PSGL18/135	M-PSGL25/130
160/155	M-PSGL14/160	M-PSGL18/160	M-PSGL25/155
185/180	M-PSGL14/185	M-PSGL18/185	M-PSGL25/180
235/230	M-PSGL14/235	M-PSGL18/235	M-PSGL25/230
285/280	M-PSGL14/285	M-PSGL18/285	M-PSGL25/280
385/380	M-PSGL14/385	M-PSGL18/385	M-PSGL25/380
485/480	M-PSGL14/485	M-PSGL18/485	M-PSGL25/480
685/680	M-PSGL14/685	M-PSGL18/685	M-PSGL25/680
985/980	M-PSGL14/985	M-PSGL18/985	M-PSGL25/980



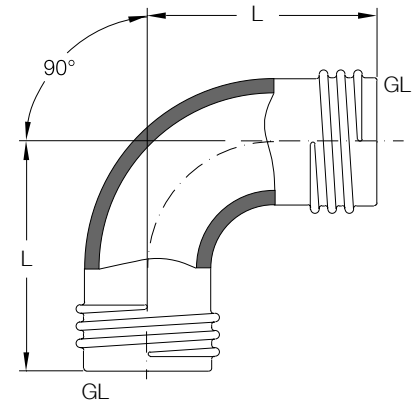
REDUCERS (DN/GL)

DN	GL	L	Reference
15	14	67	M-PR15/GL14
15	18	67	M-PR15/GL18
15	25	67	M-PR15/GL25
25	14	90	M-PR25/GL14
25	18	90	M-PR25/GL18
25	25	90	M-PR25/GL25
40	14	100	M-PR40/GL14
40	18	100	M-PR40/GL18
40	25	100	M-PR40/GL25
50	14	110	M-PR50/GL14
50	18	110	M-PR50/GL18
50	25	110	M-PR50/GL25



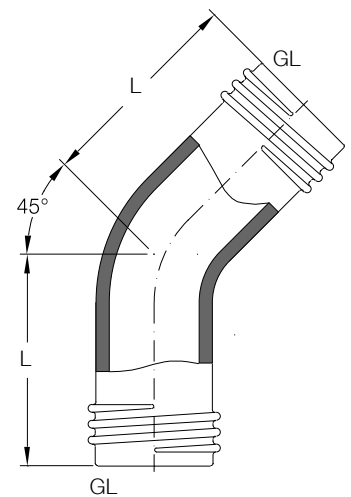
90°-BENDS (GL/GL)

GL	L	Reference
14	32	M-PB90/GL14
18	37	M-PB90/GL18
25	40	M-PB90/GL25



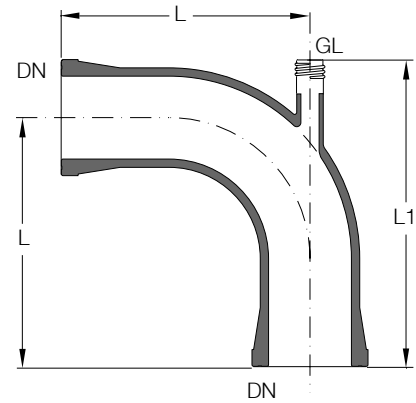
45°-BENDS (GL/GL)

GL	L	Reference
14	32	M-PB45/GL14
18	37	M-PB45/GL18
25	40	M-PB45/GL25



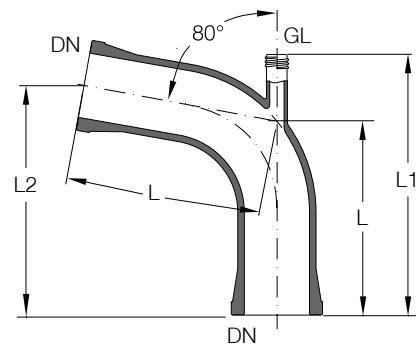
90°-BENDS WITH THERMOMETER BRANCH (DN/DN/GL)

DN	GL	L	L1	Reference
15	25	50	90	M-PBT90/15/GL25
25	25	100	130	M-PBT90/25/GL25
50	25	150	185	M-PBT90/50/GL25
80	25	200	240	M-PBT90/80/GL25
100	25	250	290	M-PBT90/100/GL25



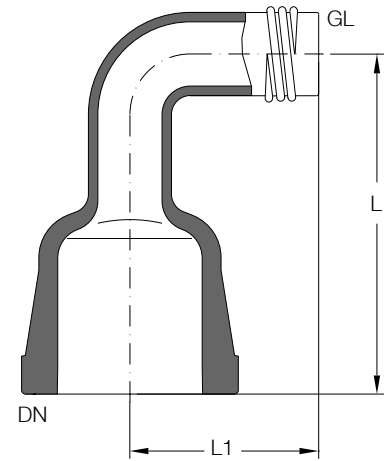
80°-BENDS WITH THERMOMETER BRANCH(DN/DN/GL)

DN	GL	L	L1	L2	Reference
15	25	50	95	59	M-PBT80/15/GL25
25	25	100	140	117	M-PBT80/25/GL25
50	25	150	200	176	M-PBT80/50/GL25
80	25	200	260	235	M-PBT80/80/GL25
100	25	250	320	293	M-PBT80/100/GL25



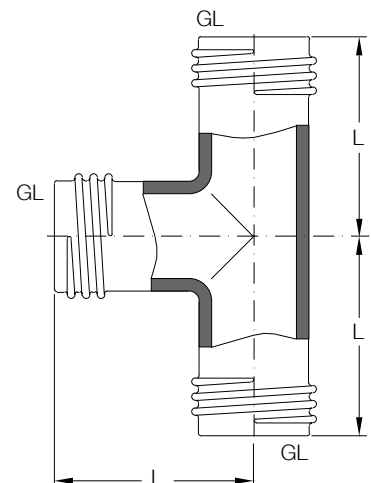
90°- BEND REDUCERS (DN/GL)

DN	GL	L	L1	Reference
15	14	50	50	M-PBR90/15/GL14
15	18	50	50	M-PBR90/15/GL18
15	25	50	50	M-PBR90/15/GL25
25	18	70	50	M-PBR90/25/GL18
25	25	70	50	M-PBR90/25/GL25
40	18	90	50	M-PBR90/40/GL18
40	25	90	50	M-PBR90/40/GL25
50	18	90	60	M-PBR90/50/GL18
50	25	100	60	M-PBR90/50/GL25



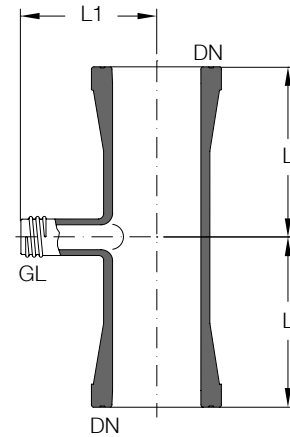
TEE PIECES (GL/GL/GL)

GL	L	Reference
14	32,5	M-PTGL14
18	37,5	M-PTGL18
25	40	M-PTGL25



UNEQUAL TEE PIECES (DN/GL)

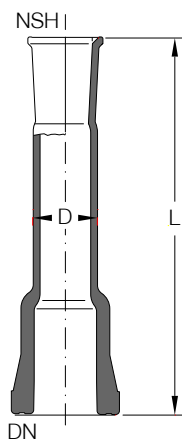
DN	GL	L	L1	Reference
15	14	50	45	M-PTU15/GL14
15	18	50	45	M-PTU15/GL18
15	25	50	45	M-PTU15/GL25
25	18	75	50	M-PTU25/GL18
25	25	75	50	M-PTU25/GL25
40	18	75	60	M-PTU40/GL18
40	25	75	60	M-PTU40/GL25
50	18	75	65	M-PTU50/GL18
50	25	75	65	M-PTU50/GL25



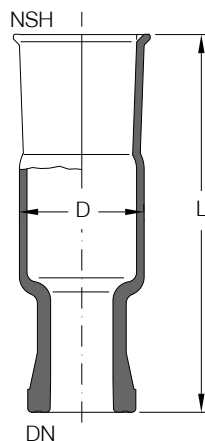
ADAPTORS (DN/NS)

DN	NSH	NSK	L	D	Type	Reference
15	14/23	-	100	17	A	M-AG15/NSH14
15	-	14/23	100	13	C	M-AG15/NSK14
15	29/32	-	100	33	B	M-AG15/NSH29
15	-	29/32	100	26	D	M-AG15/NSK29
25	29/32	-	100	33	A	M-AG25/NSH29
25	-	29/32	100	26	C	M-AG25/NSK29

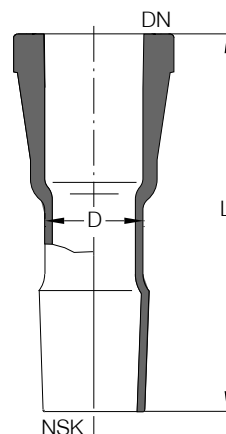
A



B



C



D

